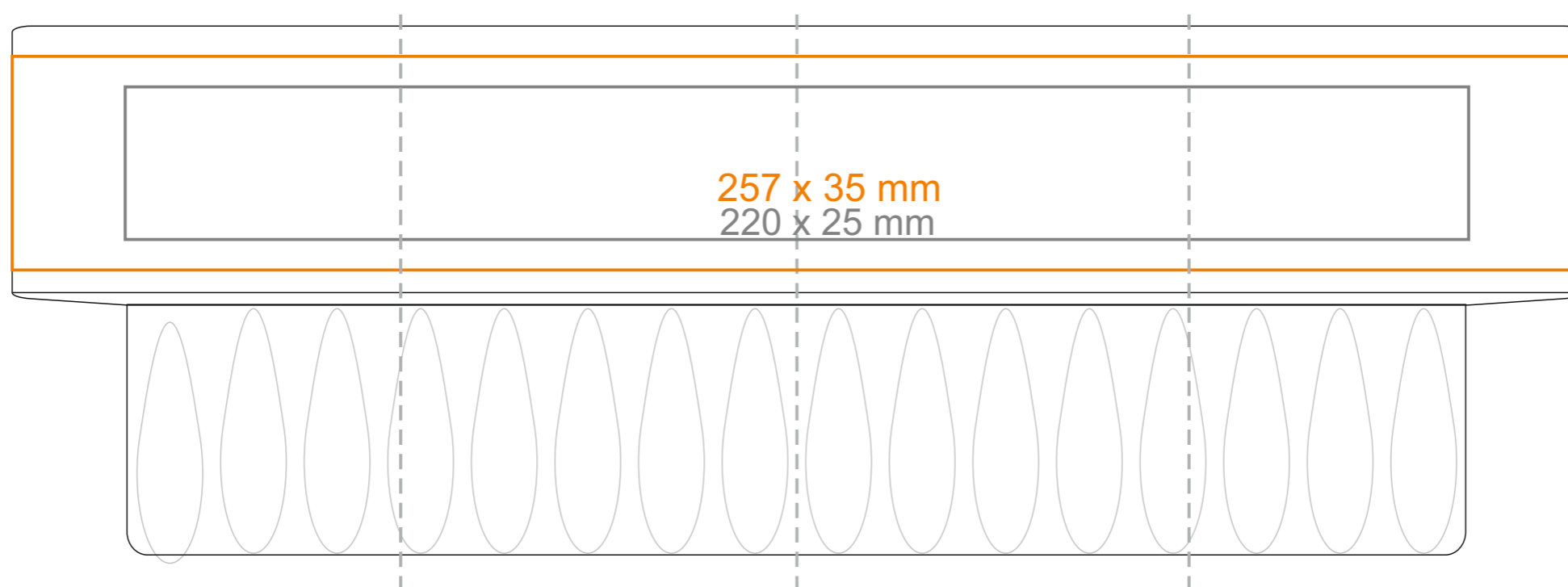
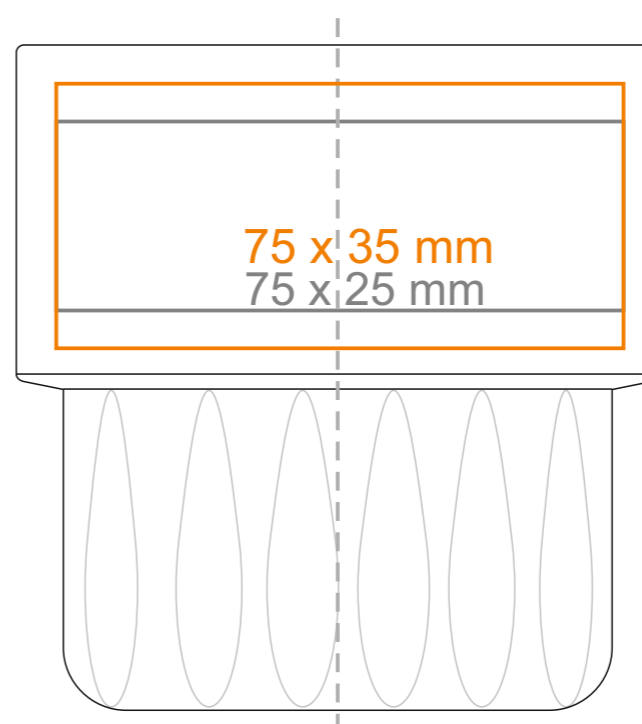
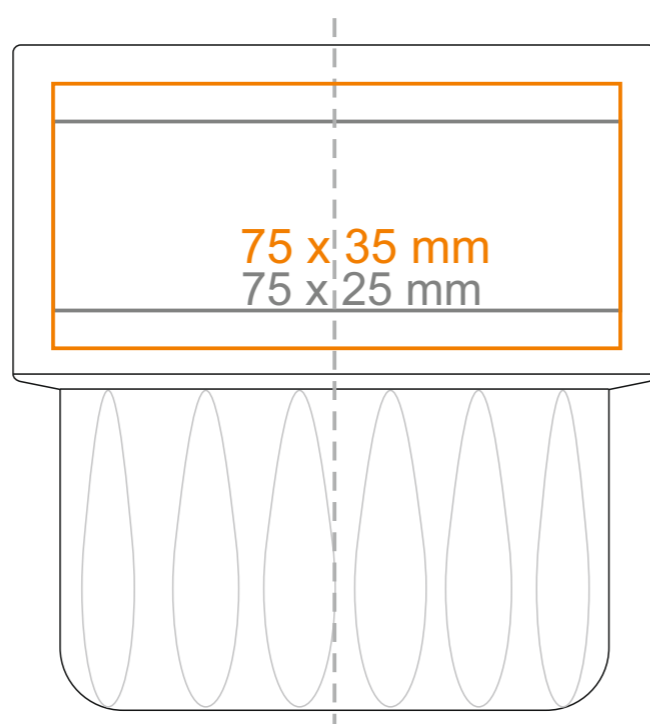


# G\_518 Gordon

200 ml / h: 88 mm / Ø 85 mm



\*In the case of projects for transfer print running outside of the standard print area, please contact our sales department.

[How to prepare print material](#)

meaning

- Transfer Print
- Sensitive Touch
- Direct Print