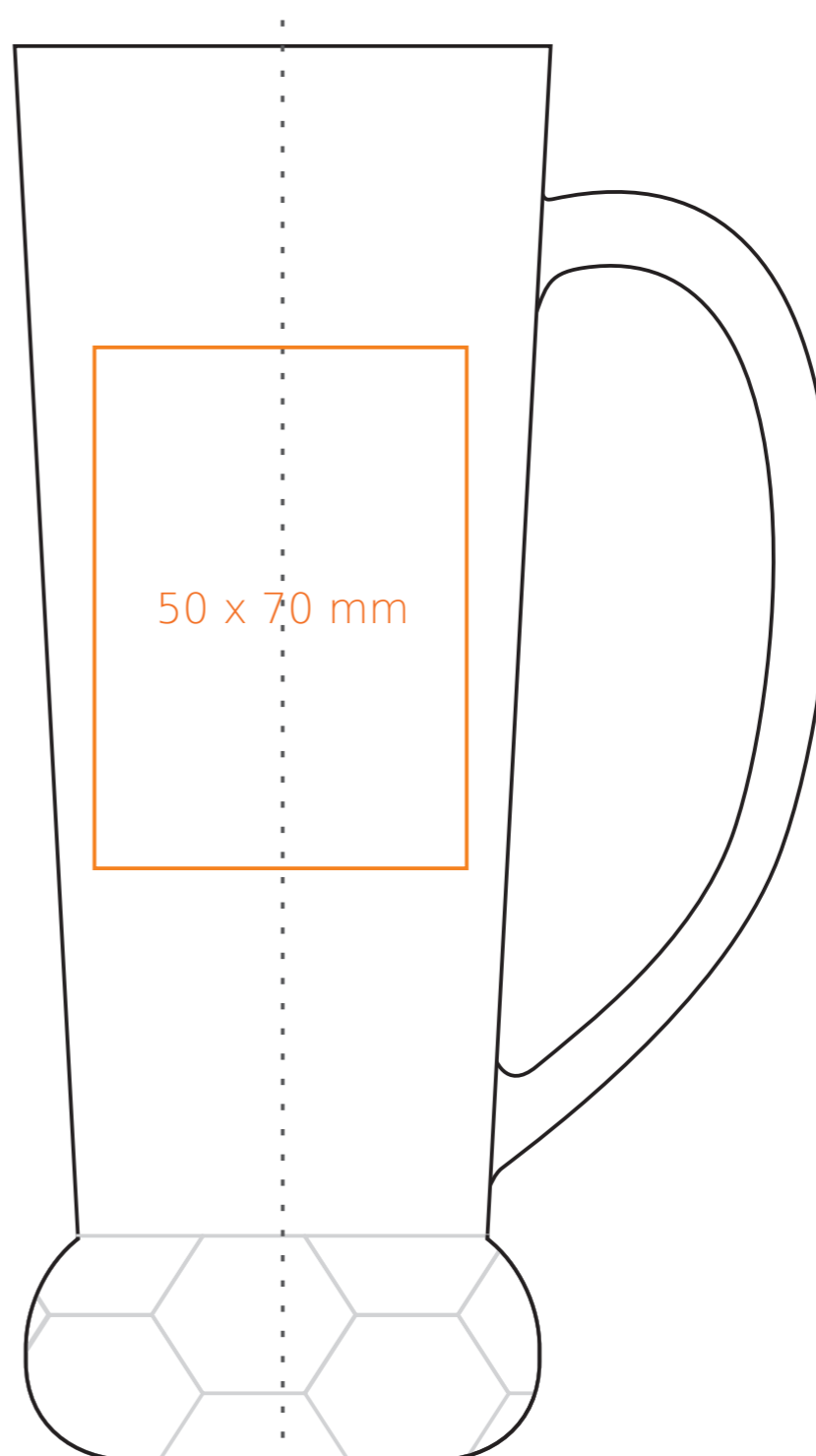
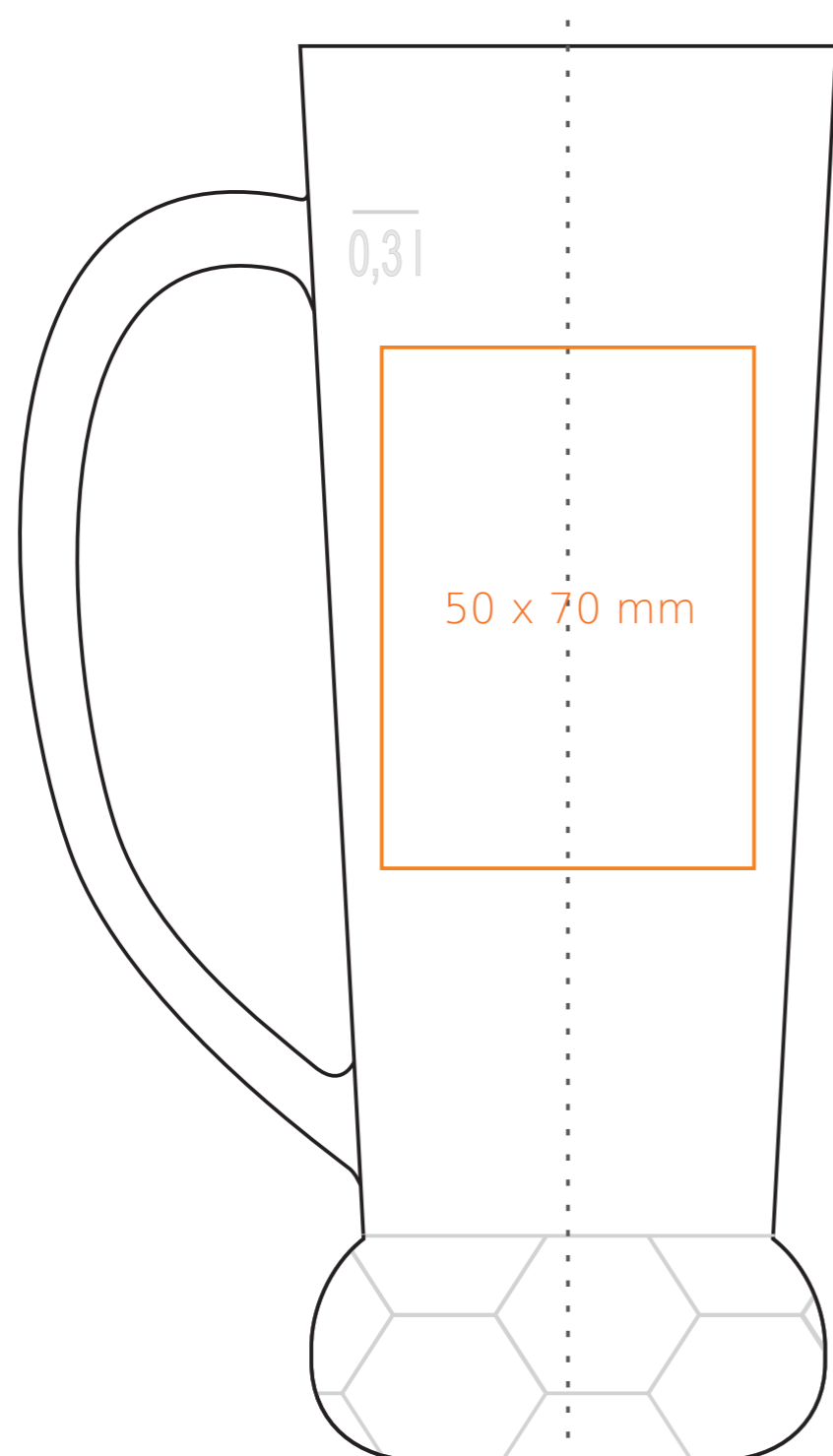


# B/411\_X0 Football

300 ml / h: 190 mm / Ø 72 mm



\*In the case of projects for transfer print running outside of the standard print area, please contact our sales department.

[How to prepare print material](#)

meaning

- Transfer Print
- Sensitive Touch